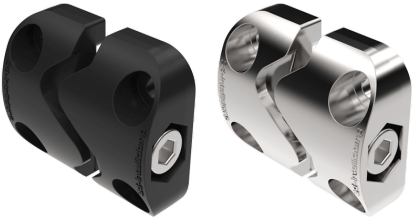


# INTELLICLAMP 3D 50X50MM



3D-Intellclamp for connection of sections or units. The 3D-Intellclamp will align separate units in X-, Y- and Z-axis as the bolt is tightened. Provides a solid connection with perfect alignment of surfaces. Mounting with rivets or screws. Each 3D-Intellclamp consists of two interlocking halves, inter connecting bolt and nut.

VDI  
6022

## MATERIAL

**Interlocking parts:** Zinc die cast, black texture powder coated or zinc plated

**Through-bolt and nut (M8):** Steel, zinc plated

## RELATED PRODUCTS

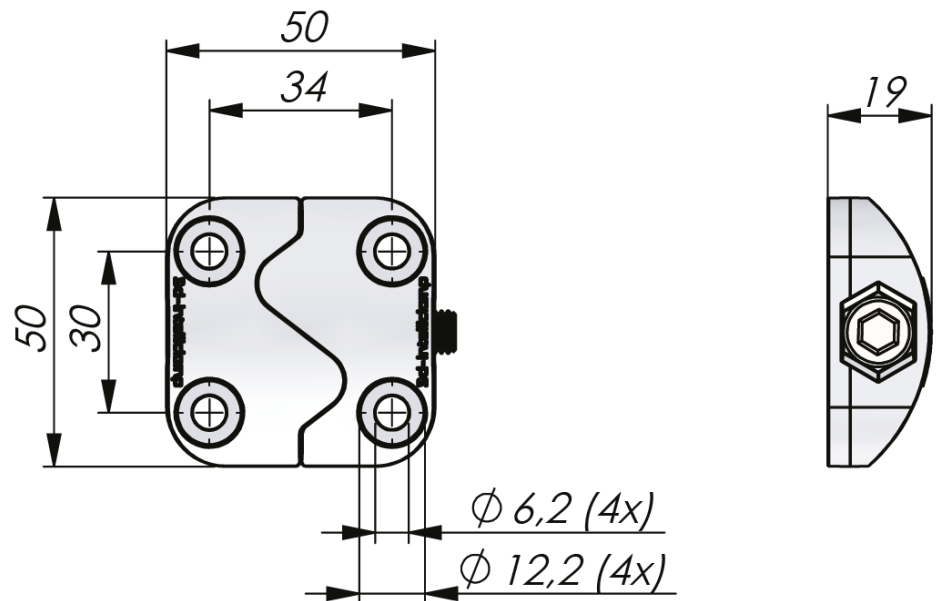
**Similar products:** 5-400, 5-402

Use the Index Code at [industrilas.com](http://industrilas.com)

## TECHNICAL INFORMATION

Tighten the through-bolt using a 6 mm hexagon key (Allen key).

Screws, bolts or rivets for mounting are not included.



**Industrilas**  
— When access counts —

P/N	Description	Surface treatment
271134-01	3D-Intellclamp™ 50 x 50 mm	Zinc plated
271634-01	3D-Intellclamp™ 50 x 50 mm	Black coated